

LWA-440IR

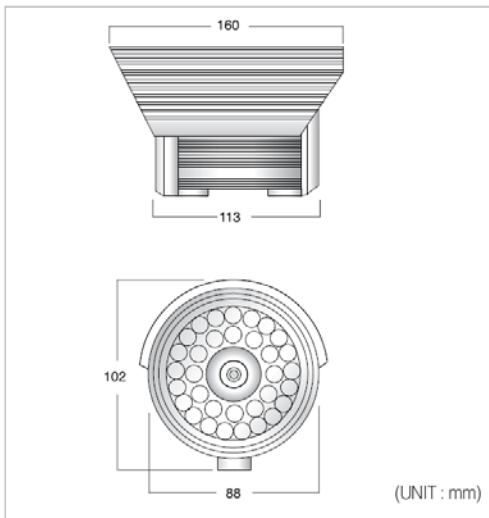
All-In-One IR Camera

Features:

- 410K Pixel, Sony 1/3" Color CCD
- High Resolution (up to 480HTVL)
- Maximum Visible Distance 150ft
- Low 0.5 Lux (CDS On B/W Mode : 0.00 Lux)
- Vari-Focal Zoom Lens 4~9mm (DC Iris lens)
- High Effective IR 48 EA Built-in
- Weather-Proof (Outdoor)
- ICR Day & Night (Option)



DIMENSIONS



| | | |
|-----------------------|---------------------------------------|---------------------|
| Signal system | NTSC | PAL |
| Image sensor | 1/3" Sony super HAD CCD | |
| Effective pixels | 768(H) × 494(V) | 752(H) × 582(V) |
| Resolution | More than 480 TVL | |
| Scanning frequency | 15,734KHz(H), 60(V) | 15,625KHz(H), 50(V) |
| Shutter speed | 1/60~1/100,000 sec | 1/50~1/100,000 sec |
| Minimum illumination | Color : 0.5 Lux, (CDS ON : 0.00 Lux) | |
| Scanning system | 2 : 1 Interlace | |
| LED | IR LED 48 PCS, 5Ø (850nm), 30 degree | |
| Visibility range | Indoor 50m / Outdoor 40m | |
| S/N ratio | More than 48dB | |
| Video output | Composite video output 75Ω terminated | |
| Lens | 4~9mm DC Auto iris lens, 1 : 1.6~2.4 | |
| Sync. system | Internal | |
| Operating humidity | 30% ~ 90% RH | |
| Operating temperature | -25°C to 50° | |
| Dimension | 104mm(W) × 102mm(H) × 160mm(L) | |
| Weight | Approx. 1.7Kg | |
| Power consumption | 750mA | |
| Power supply | DC 12V 1.5A, 50/60Hz | |