

LWA-220IR

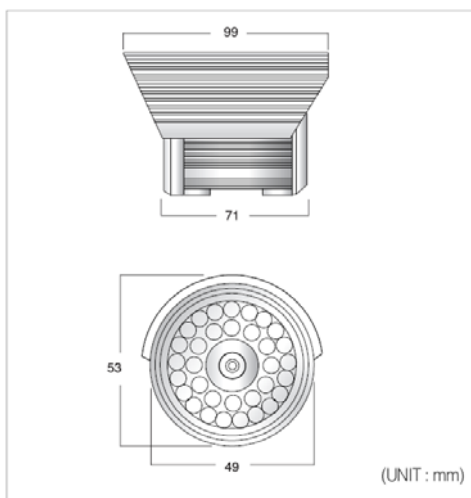
All-In-One IR Camera

Features:

- 270K Pixel, 1/3" Sony Color CCD
- Normal Resolution 380 HTVL
- Visible Maximum Distance 40 ft
- Low 0.5 Lux (CDS On B/W Mode : 0.00 Lux)
- Fixed 6mm Lens
- High Effective IR 24 EA Built-in
- Weather-Proof (Outdoor)



DIMENSIONS



Signal system	NTSC	PAL
Image sensor	1/3" Sony Super HAD CCD	
Effective pixels	510(H) × 492(V)	500(H) × 582(V)
Resolution	More than 380 TVL	
Scanning frequency	15,734KHz(H), 60(V)	15,625KHz(H), 50(V)
Shutter speed	1/60~1/100,000 sec	1/50~1/100,000 sec
Minimum illumination	Color : 0.5 Lux, (CDS ON : 0.00 Lux)	
Scanning system	2:1 Interlace	
LED	IR LED 24 PCS (850nm)	
CDS	Built-in	
S/N ratio	More than 48dB	
Video output	Composite video output 75Ω terminated	
Lens	6mm Fixed F : 1.2	
Sync. system	Internal	
Operating humidity	30% ~ 90% RH	
Operating temperature	-25°C to 50°	
Dimension	58mm(W) × 53mm(H) × 99mm(L)	
Weight	Approx. 400g	
Power consumption	300mA	
Power supply	DC 12V 1A	