

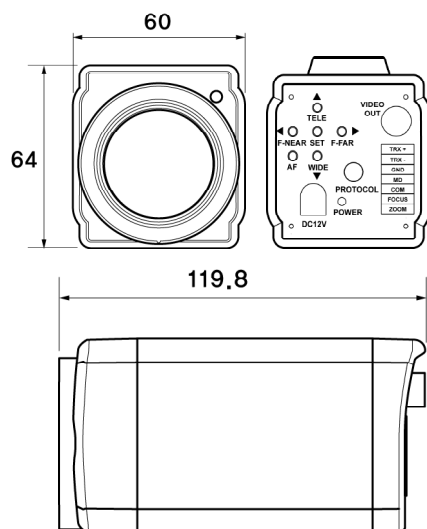
# Auto Focus Zoom Camera LHC-5230NZ

300X Zoom, True Day&Night, 0,0007Lux DNR



## FEATURES

- 1/4" SONY Super HAD CCD
- 30x Automatic Focus Optical Zoom (10X Digital)
- Removed noise & Ghost images with DNR
- Day & Night ICR (Infrared Cut filter Removal)
- Privacy(32 Zones), Motion Detection, IR Remote Control(Option)



## SPECIFICATIONS

MODEL	LHC-5230NZ	
Signal system	NTSC	PAL
Image sensor	1/4" Sony super HAD CCD	
Total pixels	811(H)X508(V)	795(H)X596(V)
Effective pixels	768(H)X494(V)	752(H)X582(V)
Resolution	Color : 520TVL(Min), B/W : 570TVL(Min)	
Scanning frequency	15.734KHz(H), 60(V)	15.625KHz(H), 50(V)
Scanning system	2:1 Interlace 525 Lines/60Fields/ 30Frames	2:1 Interlace 625 Lines/50Fields/ 25Frames
Shutter speed	1/60~1/120,000 sec	1/50~1/120,000 sec
Minimum illumination	0.7Lux @F1.6 (Normal Color Mode) 0.1Lux @F1.6 (B/W Mode) 0.0007Lux @F1.6 (Sens-up Mode)	
Zoom rate	30X, f3.3~99mm (F1.6~3.4)	
Min. Focus distance	1m	
Angle of view	H: 58.0°(Wide)~2.22°(Tele), V:44.8°(Wide)~1.78°(Tele)	
Back light	Low / Middle / High / Off	
Day & Night	Auto / Color / B/W	
Privacy zones masking	On / Off (32 Zones- 8 Groups x 4 Zones per screen)	
AGC	Low / Middle / High / Off	
Camera ID	On ( 255 ID Selectable ) / Off	
White balance	ATW / Outdoor / AWC / Manual	
SSNR	Low / Middle / High / Off	
OSD	Built-in	
Flip / Mirror	On / Off	
Communication	RS-485, Multi Protocol (Pelco, D-max)	
S/N ratio	More than 50dB	
Video output	Composite video output 75Ωterminated	
Sync. system	Internal	
Operating humidity	30 % ~ 90 % RH	
Operating temperature	- 10°C to 50°C (14 ~ 122°F)	
Dimension	60(W) X 64(H) X 119.8(D)mm	
Weight	About 378g (0.8lb)	
Power consumption	Max 5W	
Power supply	DC 12V (±10%) 500mA	