

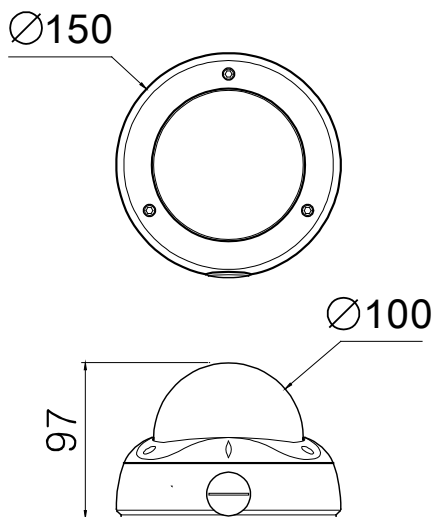
# Super WDR DomeCamera LDV-541VW

540TVL, Day & Night, Vandal proof



## FEATURES

- Pixim 1/3" DPS ORCA Chip Sensor
- High Resolution (up to 540HTVL Equivalent)
- Best WDR (Wide Dynamic Range) Function
- Digital Day & Night, 6 Privacy Zone
- Built-in OSD (On Screen Display) Menu
- Motion detection
- Vandal-Proof (Poly-carbonate Bubble)
- Vari-Focal Auto iris zoom lens (2.9~10 mm)
- Weathreproof (IP65)
- 3-Axis Rotation
- Place Setup for easier setting (Indoor, Outdoor, Normal, Customs, Fluorescent)
- Selectable Languages (English, German, French)



## SPECIFICATIONS

MODEL	LDV-541VW	
Signal system	NTSC	PAL
Image Sensor	Pixim 1/3" DPS ORCA Chip Sensor	
Effective Pixels	720(h) x 540 (v)	
Resolution	More than 540 TV lines	
Scanning Frequency	15.734KHz(H), 60(V)	15.625KHz(H), 50(V)
Shutter Speed	1/60~1/100,000 sec	1/50~1/100,000 sec
Min. Illumination	Color : 0.3 Lux, B/W : 0.002 Lux (Sense-up : Auto(2x~128x))	
Day & Night	D&N Function by Digital Change : Auto/Off	
Shutter	ESL / Manual / Flickerless	
White Balance	ATW / AWC / MANUAL	
BLC	Low / Middle / High / Off	
AGC	Low / Middle / High / Off	
DNR	Auto / Off	
Privacy Zone & Motion Detection	4 Programmable Zone	
Sharpness	On( level : 0 ~ 31) / Off	
Camera ID	On / Off	
S/N Ratio	More than 50dB	
Video Output	Composite video output 75 ohm terminated	
Lens	DC auto iris lens (4 ~ 9 mm), F1.6	
Sync. System	Internal	
Operating Humidity	30 % ~ 90 % RH	
Operating Temp.	- 10°C to 50° (14 ~ 122° F)	
Dimension	100(Bubble) x 103(H)	
Weight	About 1.1 kg (2.4lb)	
Power Consumption	180mA	
Power Supply	DC 12 V(10.2V~14.5 V) AC 24V (Option)	