

Super WDR Dome Camera LVD-540VW

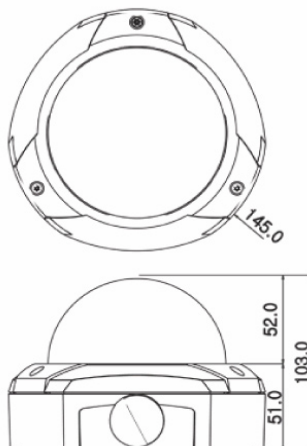
540TVL Day & Night, Vandal proof

- » Pixim Orca DPS, 120dB WDR
- » DSS (Digital Slow Shutter)
- » Built-in OSD (On Screen Display) Menu
- » Location Setup for easier setting



FEATURES

- Pixim 1/3" DPS ORCA Chip Sensor
- 120dB Wide Dynamic Range
- High Resolution (up to 540HTVL Equivalent)
- DSS (Digital Slow Shutter)
- Digital Day & Night
- 4 Privacy Zone
- Built-in OSD (On Screen Display) Menu
- Motion detection
- Location Setup for easier setting (Indoor, Outdoor, Normal, Customs, Fluorescent)
- Selectable Languages (English, German, French)
- Vandal-Proof (Poly-carbonate Bubble)
- Vari-Focal Auto iris zoom lens (2.9~10mm)
- Weatherproof (IP65)
- 3-Axis Rotation



(UNIT: mm)

SPECIFICATIONS

Signal system	NTSC	PAL
Image Sensor	Pixim 1/3" DPS ORCA	
Effective Pixels	720(h) x 540 (v)	
Horizontal Resolution	Max 540 TVL	
Scanning Frequency	15.734KHz(H), 59.944(V)	15.625KHz(H), 50Hz(V)
Video Io Select	NTSC / PAL	
Min. Illumination	Color: 0.4 Lux (F:1.2), (Sense-up 32 x : 0.08Lux)	
White Balance	Auto / ATW DESAT / AWC / Manual	
DSS	Off / 2 fields ~ 32 fields / Custom	
DNR	On / Off	
Lens	2.9mm~10mm (F:1.2) DC auto iris lens	
Flip	Off / H.FLIP / V.FLIP / H-H.FLIP	
AGC	Low / Middle / High	
Camera ID	On / Off	
Wide Dynamic Range	Max 120dB / 17 - bit	
Privacy Zones	Off / On (White, Black, Red)	
S/N Ratio	More than 50dB	
Video Output	Composite video output 75 ohm terminated	
OSD	Built-in	
Sync. System	Internal	
Operating Humidity	30% ~ 90% RH	
Operating Temp.	- 10°C to 50°	
Dimension	145(D) x 103(H)mm	
Weight	About 2.6 Lb	
Material	Aluminum body, PC bubble (100mm)	
Power Consumption	250mA	
Power Supply	DC 12 V (10.2V~14.5 V) AC 24V (Option)	