

Color Dome Camera LVD-540VN

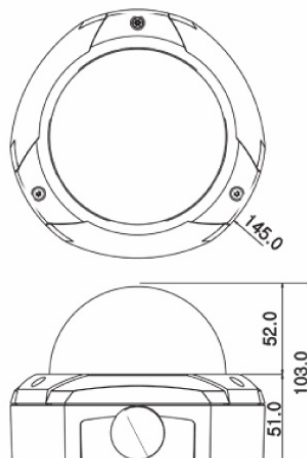
540TVL, Day & Night, Vandal proof

- » True Day/Night (B/W in the night mode)
- » DSS (Digital Slow Shutter)
- » Built-in OSD (On Screen Display) Menu
- » Location Setup for easier setting



FEATURES

- 410K PIXEL, 1/3" Sony Super HAD CCD
- High Resolution (up to 540HTVL Equivalent)
- Selectable Languages (English, German, French)
- Digital Day & Night, 4 Privacy Zone
- DSS (Digital Slow Shutter)
- Built-in OSD (On Screen Display) Menu
- Motion detection
- Location Setup for easier setting
(Indoor, Outdoor, Normal, Customs, Fluorescent)
- Selectable Languages (English, German, French)
- Vandal-Proof (Poly-carbonate Bubble)
- Vari-Focal Auto iris zoom lens
- Weatherproof (IP65)
- 3-Axis Rotation



(UNIT: mm)

SPECIFICATIONS

	NTSC	PAL
Signal system	NTSC	PAL
Image Sensor	1/3" Sony Super HAD CCD	
Horizontal Resolution	More than 540 TV Lines	
Total Pixels	811(H) X 508(V)	795(H) X 596(V)
Effective Pixels	768(H) X 494(V)	752(H) X 582(V)
Scanning Frequency	15.734KHz(H), 59.944Hz(V)	15.625KHz(H), 50Hz(V)
Shutter Speed	1/60~1/120,000 sec	1/50~1/100,000 sec
Min. Illumination	0.0008 Lux @F1.2	
Day & Night	D&N Function by Digital Change: Auto / Off	
White Balance	ATW / AWC / MANUAL	
BLC	Low / Middle / High / Off	
DNR	On/ Off	
AGC	Low / Middle / High	
Sharpness	On (level: 0 ~ 31) / Off	
Camera ID	On / Off	
Privacy Zones	4, Off / On (White, Black, Red)	
S/N Ratio	More than 50dB	
Video Output	Composite video output 75 ohm terminated (BNC)	
Lens	4 ~ 9 mm (F:1.5) DC auto iris lens, option: 2.9 - 10mm	
OSD	Built-in	
Sync. System	Internal	
Operating Humidity	30 % ~ 90 % RH	
Operating Temp.	- 10°C to 50°	
Dimension	f100mm(Bubble) x 103mm(H)	
Weight	About 1.8 Lb	
Power Consumption	180mA	
Power Supply	DC 12 V (10.2V~14.5 V) / AC 24V	