

High Speed Dome Camera LDS-300N

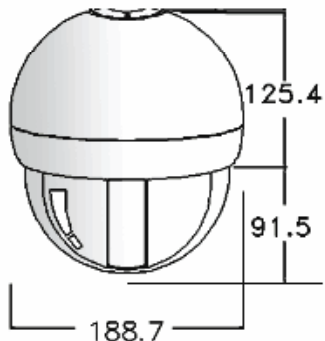
230X Zoom, Day & Night, Hitachi Module

- » Day and Night (ICR)
- » 8 Privacy Masking Zones
- » 250 Programmable Preset Positions
- » For indoor use



FEATURES

- 410K PIXEL, 1/4" SONY Super HAD CCD
- 23x Auto Focus Optical Zoom, (230X in total)
- Built-in Hitachi DSP Camera Module
- Day and Night (ICR)
- Low Illumination with DSS, 0.009Lux
- Perfect Back Light Compensation (WDR Functions)
- Smart Zoom (Speed control by Zoom ratio)
- 250 Programmable Preset Positions
- Swing, Group, Trace, Spiral, Auto Flip, Alarm etc.
- 8 Privacy Masking Zones
- Motion Detection
- Well suited for department stores, buildings, parking lots, etc.



(UNIT: mm)

SPECIFICATIONS

Signal system	NTSC	PAL
Image sensor	1/4" Sony Super HAD CCD	
Horizontal resolution	More than 480 TVL	
Effective pixels	768(H) X 494(V),	752(H) X 582(V),
Scanning Frequency	15.734KHz(H), 59.944Hz(V)	15.625KHz(H), 50Hz(V)
Lens	23x Optical zoom, f =3.6 –82.8mm	
Digital zoom	10x (Total zoom 230x)	
Angle of view	Approx 54° (Wide), Approx 2.5° (Tele),	
Minimum illumination	0.5 Lux, 0.1Lux(D&N), 0.009Lux(DSS)/F1.6	
Luminance S/N ratio	More than 50dB	
Video output	1 Vp-p Composite video output 75Ω	
Focus mode	Auto / Manual	
WDR	Auto / Off / Manual (Level 1-126)	
Motion detection	On/ Off	
Shutter speed	Auto	
Back Light	On / Off	
Auto Flip	On/ Off	
Alarm in/out	4 Inputs / 1 Relay Output	
Pan/Tilt angle	360° Endless / 92°	
Pan speed	0.1° ~ 240°/sec (64 Levels)	
Preset point	128 Presets	
Preset Speed	Max 360°/sec (64 Levels)	
Privacy zones masking	8 Zones	
Operating temperature	- 10°C ~ 50°C (-14°F ~ 122°F)	
Communication system	RS-485 / 422	
OSD	Built-in	
Operating humidity	Less than 90%RH	
Dimensions	188.7mm (Diameter) x 216.9mm (Height)	
Weight	About 6.8 Lb (Without adaptor)	
Construction	ABS body, Clear vandal bubble (PC)	
Power consumption	18W (Max)	
Power supply	AC24V, 60/50 Hz	